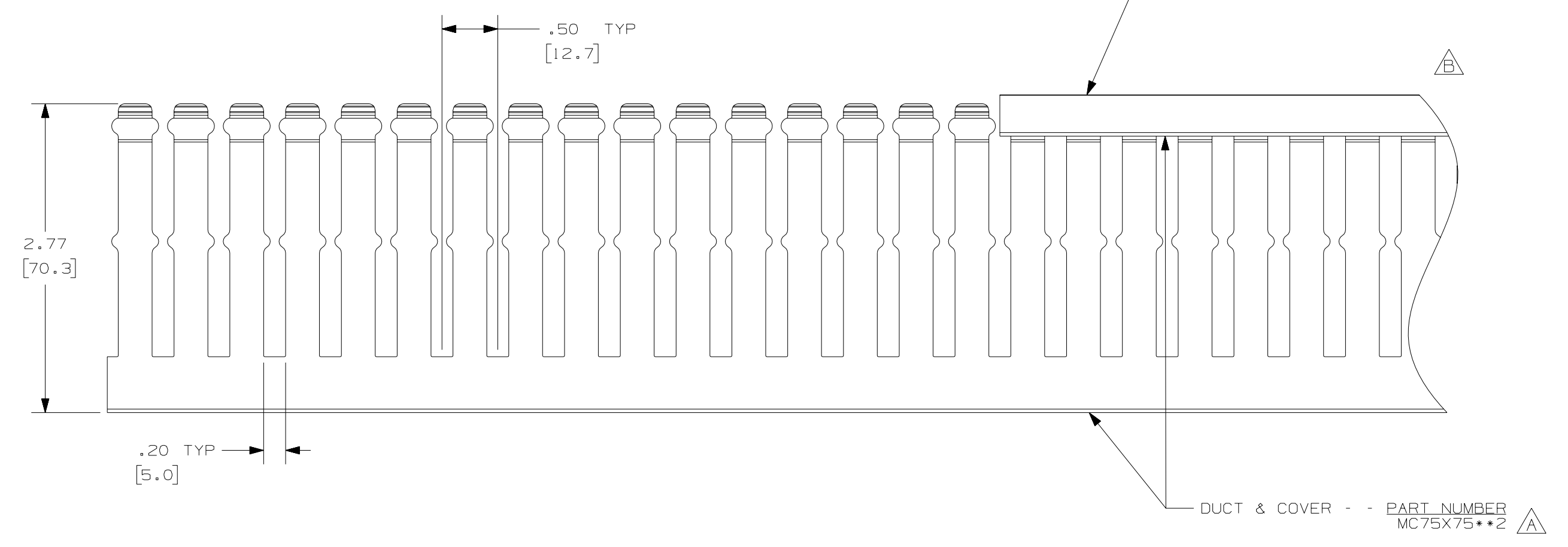
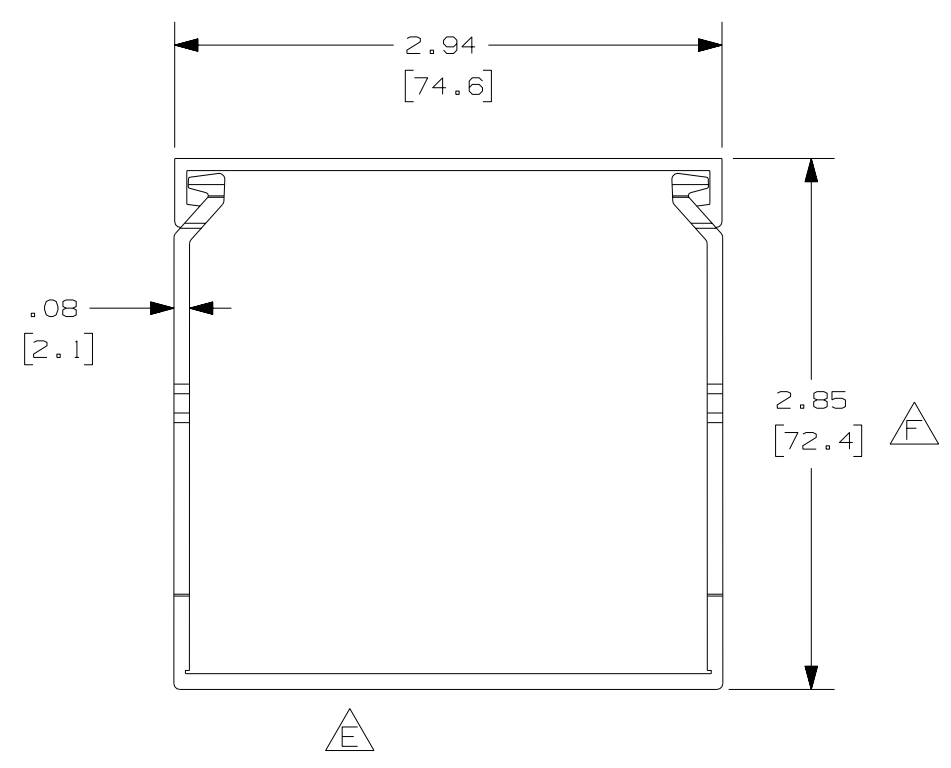
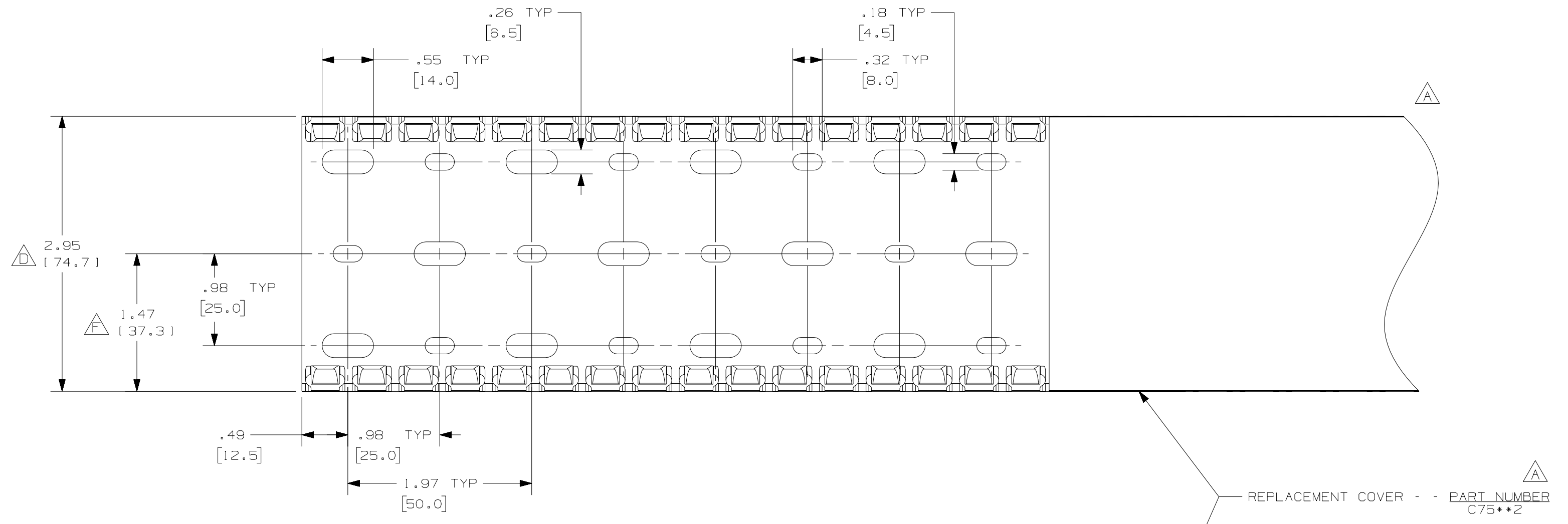


THIS COPY IS PROVIDED ON A RESTRICTED BASIS AND IS NOT TO BE USED IN ANY WAY DETRIMENTAL TO THE INTERESTS OF PANDUIT CORP.



△△

NOTES:

1. ALL DIMENSIONS ARE REFERENCE ONLY.
2. DIMENSIONS IN PARENTHESIS ARE METRIC.
3. THE ** DENOTE COLOR.
4. DUCT AND COVER ARE AVAILABLE IN 6.56 FT, 2 METER [2000.0] LENGTHS.

| REV | DATE | BY | CHK | DESCRIPTION |
|-----|---------|----------|-----|---|
| -- | ----- | --- | --- | G. ADDED LENGTH NOTE F. CORRECTED DIMENSIONS |
| 2 | 8-8-07 | JCSTMKBE | | E. DELETED DIMENSION D. ADDED DIMENSION |
| -- | ----- | --- | --- | C. CHANGED DRAWING SIZE |
| 1 | 9-22-05 | JCSTMKBE | | B. CHANGED VIEW A. ADDED TOP VIEW, NOTES, AND LABELS |
| R | 7-1-03 | JHNU JGG | | DRAWING RELEASED |

CAD FILENAME/LAYERS: D11000KG_DC_01B

PANDUIT CORP., TINLEY PARK, ILLINOIS

WIRING DUCT - TYPE MC DUCT WITH COVER
75 X 75
MARKETING DRAWING

| | | |
|-----------------|------------|--------------------|
| DRWN BY: JHNU | MAT'L: PVC | SCALE: FULL |
| DATE: 7-1-03 | | DWG NO.: 36897-816 |
| CHECKED BY: JGG | | DWG SIZE: C |